



**PART#G'A5 BI 5 @**



**FC7 ? 'D= ? 9F'FA, \$  
FF \$%, \$!\$\$\$\$(\$**





---

Table of contents	
• Introduction	4
• Dimension	5
• Parts	
▪ Rock Monster RM8090 RR0180-00004	7
▪ Rock Picker RM80 Frame Assembly RR0180-05E05	11
▪ Rock Picker XL80 Bucket Kit RR0180-05E06	13
▪ RM-8090 Drive System Kit RR0180-06E03	14
▪ Fork Assembly XL80 RR-21E01	16
▪ Bucket Deflector Kit RR0180-04E01	17
▪ Side Deflector RR0180-04E06	18
▪ Gear Box Guard Kit Rr0180-04E05	19
▪ Cylinder Guard Rr0180-04E02	20
▪ Cylinder Guard Rr0180-04E04	21
▪ Wheel Assembly 550/45X22.5 16PRTL RR0180-01E02	22
▪ Wheel Assembly 700/50X22.5 16PRTL RR0180-01E01	23
▪ Female attaching Assembly RR-20E01	24
▪ Attached kit Ball Hitch CAT 3 RR-20E02	25
▪ Hydraulic kit rock picker – RR0180-31E01	26
▪ Hydraulic Hoses Kit Rock Picker– RR0180-31E02	26
▪ Hydraulic hoses Rock Picker RR0180-29E01	27
▪ Fitting kit Rock Picker RR0180-29E02	28
▪ Hydraulic hoses kit rock picker RR0180-29E03	29
• Warranty	30
• Product Registration	31



Congratulations on your purchase of your new **S Houle inc.**, equipment!

This equipment will advantageously complement your agricultural machinery. It has been designed and built specifically for an agricultural market that is always in need of more efficient, better performing equipment.

This part manual is your principal reference in regards to your new equipment. To ensure your equipment delivers many years of quality use, it is important that you follow the use and maintenance guidelines set out in this manual. We urge you and those who will be using and/or performing maintenance on this equipment to ensure that **you have read and understood the contents of this manual prior to first use.**

Please keep this **Part manual** within reach so that you may quickly consult it, as often as necessary. In case of ownership transfer, please ensure that you also remit this manual to the new owner or user.

Should you have any questions, or to obtain more information or additional copies of this manual, please contact us at:

**S Houle Inc.**

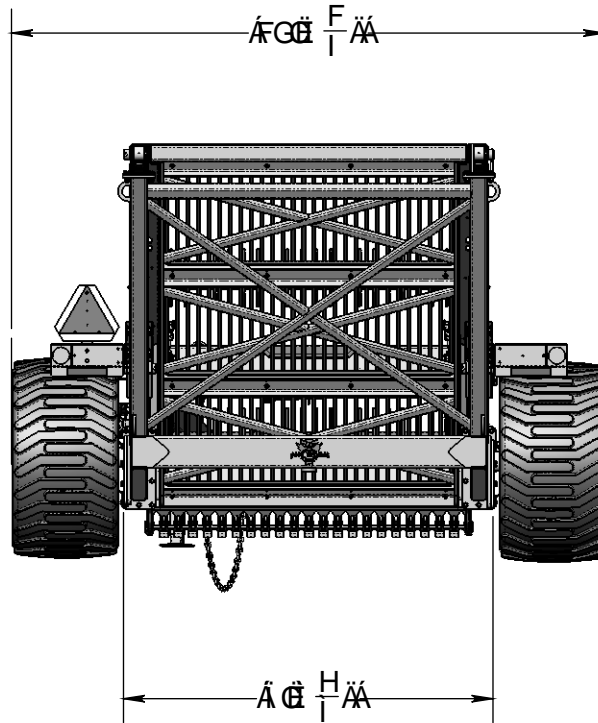
300 Industrial Boulevard  
St-Germain-de-Grantham, Qc. Canada J0C 1K0  
Tel.: (819) 395-4380 Fax: (819) 395-5516  
Toll Free: 1-888-404-4380  
Email: [info@shoule.com](mailto:info@shoule.com)  
Web: [www.shoule.com](http://www.shoule.com)



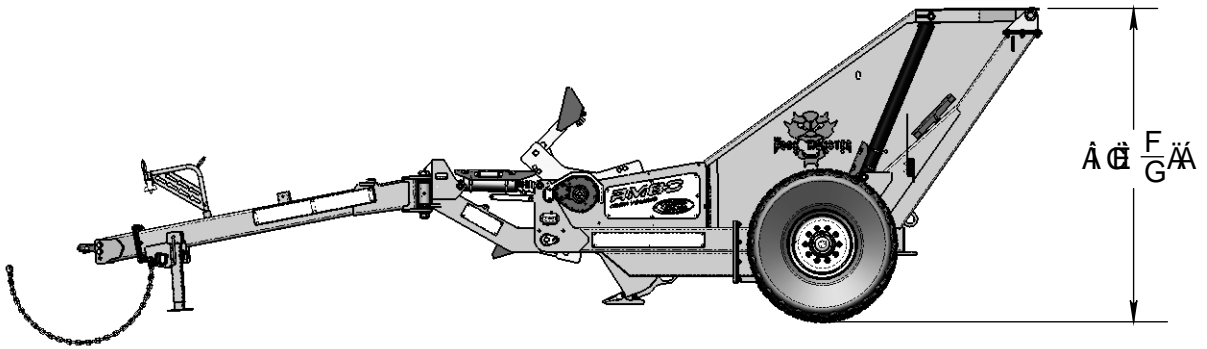


FC7? D7?9F'FA, \$  
FF\$% \$!\$\$\$\$(\$

Öä 1} • ä }



ÜÖÖVΩPÄ5!5

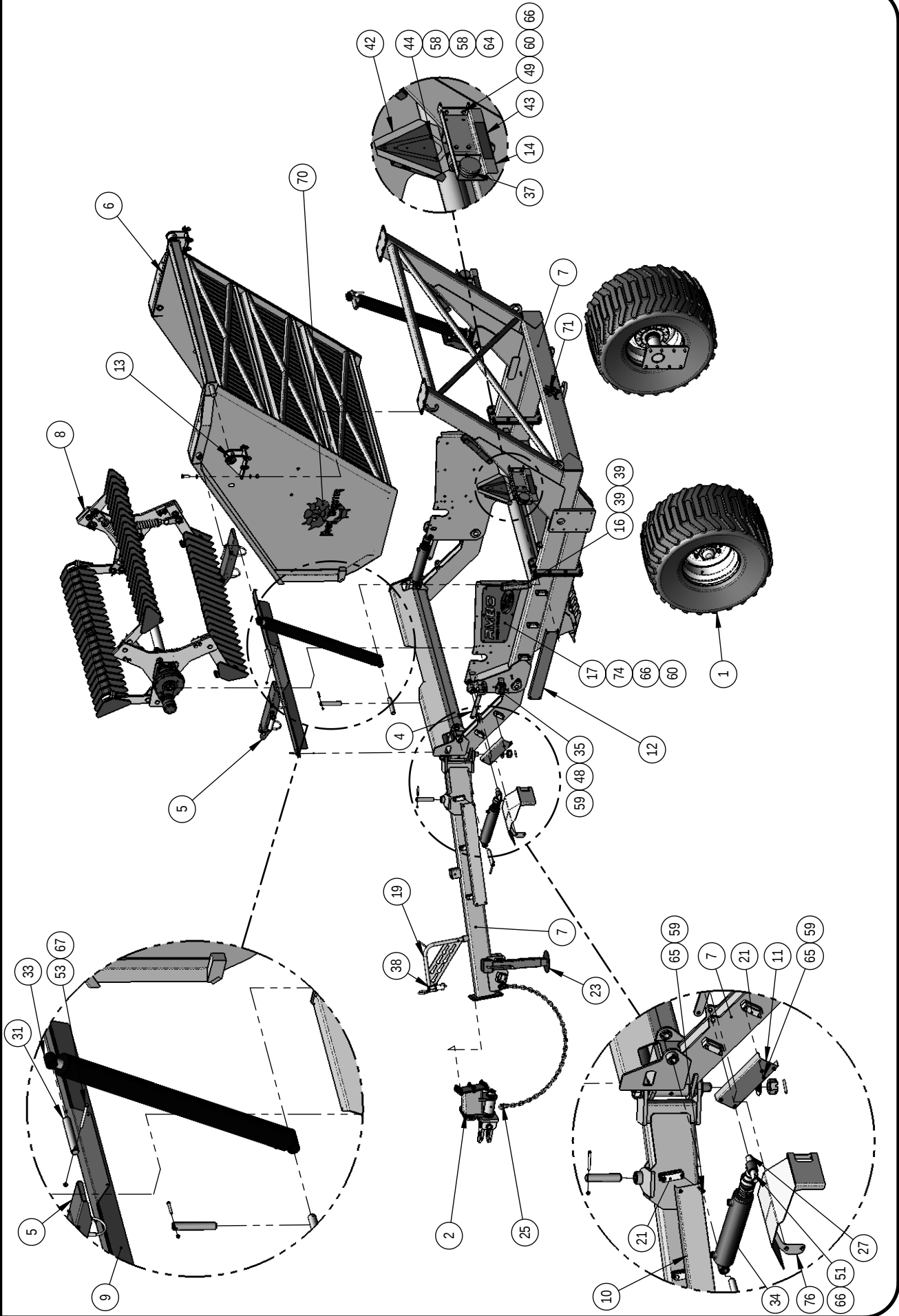


ÜÖÖVΩPÄ6!6

FC7? 'D7? 9F'FA, \$  
FF \$% \$!\$\$\$\$(\$



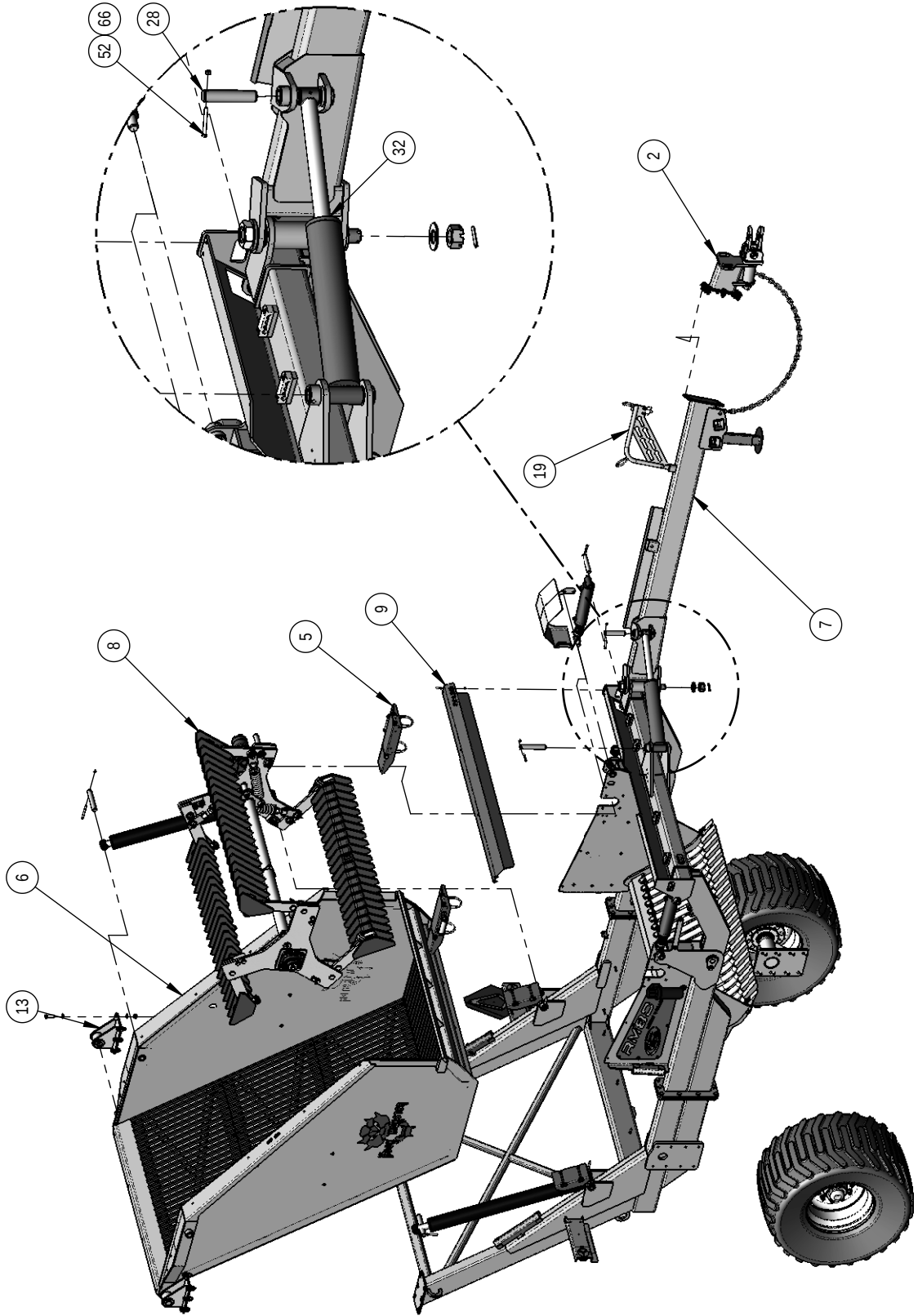
Uæø



FC7? 'D7? 9F'FA, \$  
FF \$%, \$!\$\$\$\$\$(



Uææø









FC7?`D7?9F`FA, \$

FF\$% \$!\$\$\$\$(\$

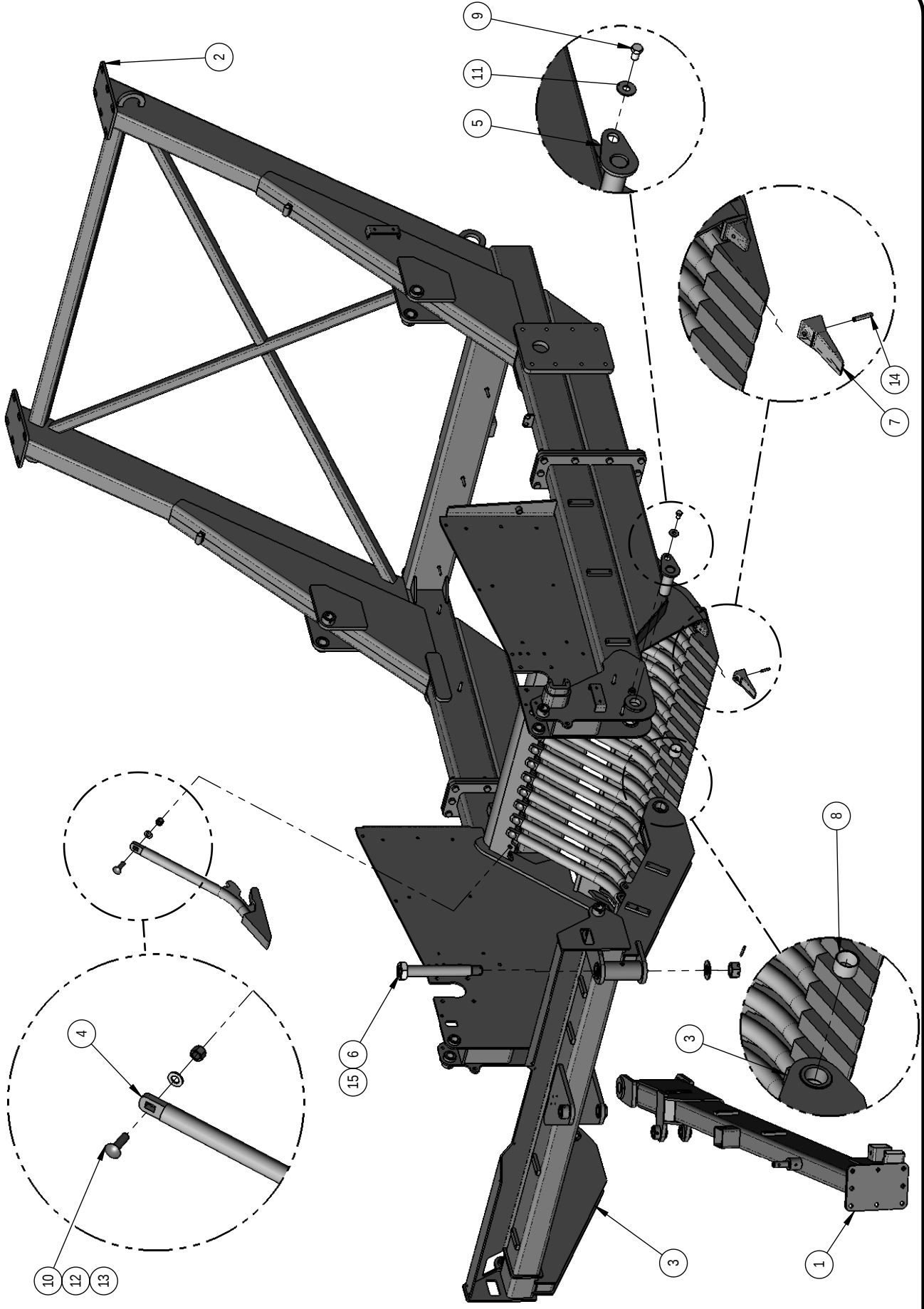
Úæø

Q0T	PU	ÖÜÜÖÜÖVÖP	ÜVY
I H	Hí €€ €€€€	ÜÖÖÄJÖÖÖÖVÖP ÖÖÖÖP ÖÖÖÖF€ÄÖÖ	G
I I	Ií ÖÖ€€ €€€€FG	PÖYÁÖÜŠVÁFÖP ÖP ÖÁÁÁFÖÖÜÍ	H
I Í	Ií ÖÖ€€ €€€€€€	PÖYÁÖÜŠVÁFÖP ÖP ÖÁÁÁFÖÖÜÍ	G
I Î	Ií ÖÖ€€€ Fì €€€	PÖYÁÖÜŠVÁFÖP ÖP ÖÁÁÁFÖÖÜÍ	FÎ
I Ï	Ií ÖÖ€€€ Fì €€€	PÖYÁÖÜŠVÁFÖP ÖP ÖÁÁÁFÖÖÜÍ	F
I Ì	Ií ÖÖ€€€ Fì €€€€	PÖYÁÖÜŠVÁFÖP ÖP ÖÁÁÁFÖÖÜÍ	G
I J	Ií ÖÖ€€€ Fì €€€	PÖYÁÖÜŠVÁFÖP ÖP ÖÁÁÁFÖÖÜÍ	Î
Í €	Ií ÖÖ€€€ Fì €€€€	PÖYÁÖÜŠVÁFÖP ÖP ÖÁÁÁFÖÖÜÍ	F
Í F	Ií ÖÖ€€€ Fì €€€€	PÖYÁÖÜŠVÁFÖP ÖP ÖÁÁÁFÖÖÜÍ	Î
Í G	Ií ÖÖ€€€ Fì €€€	PÖYÁÖÜŠVÁFÖP ÖP ÖÁÁÁFÖÖÜÍ	F
Í H	Ií ÖÖ€€€ Fì €€€€	PÖYÁÖÜŠVÁFÖP ÖP ÖÁÁÁFÖÖÜÍ	I
Í I	Ií ÖÖ€€FG€€€€	PÖYÁÖÜŠVÁFÖP ÖP ÖÁÁÁFÖÖÜÍ	FG
Í Í	Ií ÖÖ€€€€€ €€€€	PÖYÁÖÜŠVÁFÖP ÖP ÖÁÁÁFÖÖÜÍ	F
Í Î	Ií PÖ€€€ Fì €€€	ØMŠŠYÁPÜÖÖÖÖÖÄJVMÖÜÄ FÖP ÖP ÖÁÁÁFÖÖÜÍ	I
Í Ï	Ií PÖ€€€ Fì €€€	ØMŠŠYÁPÜÖÖÖÖÖÄJVMÖÜÄ FÖP ÖP ÖÁÁÁFÖÖÜÍ	Ì
Ï	Ií ÖÖ€€€	PÖYÁÖÜŠVÁFÖP ÖP ÖÁÁÁFÖÖÜÍ	Ì
Ï J	Ií ÖÖ€€€	PÖYÁÖÜŠVÁFÖP ÖP ÖÁÁÁFÖÖÜÍ	G
Ï €	Ií ÖÖ€€€	PÖYÁÖÜŠVÁFÖP ÖP ÖÁÁÁFÖÖÜÍ	G
Ï F	Ií ÖÖ€€FG	PÖYÁÖÜŠVÁFÖP ÖP ÖÁÁÁFÖÖÜÍ	G
Ï G	Ií ÖÖ€€€€	PÖYÁÖÜŠVÁFÖP ÖP ÖÁÁÁFÖÖÜÍ	G
Ï H	Ií ÖÖ€€€ Fì	PÖYÁÖÜŠVÁFÖP ÖP ÖÁÁÁFÖÖÜÍ	Ì
Ï I	Ií ÖÖ€€€ €€	PÖYÁÖÜŠVÁFÖP ÖP ÖÁÁÁFÖÖÜÍ	Í
Ï Í	Ií ÖÖ€€€ Fì	PÖYÁÖÜŠVÁFÖP ÖP ÖÁÁÁFÖÖÜÍ	€€
Ï Î	Ií ÖÖ€€€ Fì	PÖYÁÖÜŠVÁFÖP ÖP ÖÁÁÁFÖÖÜÍ	GJ
Ï Ï	Ií ÖÖ€€€ Fì	PÖYÁÖÜŠVÁFÖP ÖP ÖÁÁÁFÖÖÜÍ	I
Ï Ì	Ií ÖÖ€€FG€€	PÖYÁÖÜŠVÁFÖP ÖP ÖÁÁÁFÖÖÜÍ	FG
Ï J	Ií ÖÖ€€€€	PÖYÁÖÜŠVÁFÖP ÖP ÖÁÁÁFÖÖÜÍ	F
Ï €	Í J€FÍ	ŠÜÖÜÄV/PÖÄJÜÖÖÖÖÖÄ J ÜPÜVÖÜÄG ÄYÁFJÄ	G
Ï F	Í J€FÍ	ŠÜÖÜÄV/PÖÄJÜÖÖÖÖÖÄ J ÜPÜVÖÜÄG ÄYÁFJÄ	F
Ï G	ÜÜ€Fì €€€ Ö€	ÖYŠÖ ÖÖÜÄÖWÖJÖ	G
Ï H	Hí €€ H	SQÄJVÜUSÖÖÖÖÖÖÖÖÖÖ ÖÖÖÖ ÖÖÖÖ ÖÖÖÖ ÖÖÖÖ	G
Ï I	Ií ÖÖ€€€ Fì €€€	ÖÖÜÜÖÖÖÖÖÖÖÖÖÖ ÖÖÖÖ ÖÖÖÖ ÖÖÖÖ ÖÖÖÖ	FÎ
Ï Í	ÜÜ€€€ €€	Y ÖÖÜÄJÜÖÖÖ	F
Ï Î	ÜÜ€Fì €€€ Ö€	ÖÖÖÖÖÖÖÖÖÖÖÖÖÖ ÖÖÖÖ ÖÖÖÖ ÖÖÖÖ ÖÖÖÖ	F
Ï Ï	Hí €€F	T ÖP WÖÖÖPUSÖÖÖÖÖÖÖÖ	F
Ï Ì	ÜÜ€€ J€€	ÜT Ì €J€R YÖÖÖP ÜÜÖÜÄÖÖÖÖÖÖÖÖ	F

FC7? D7? 9F?FA, \$: F5 A9 '5 GG9 A 6 @M  
FF \$%,\$!\$) 9\$)



Uææc





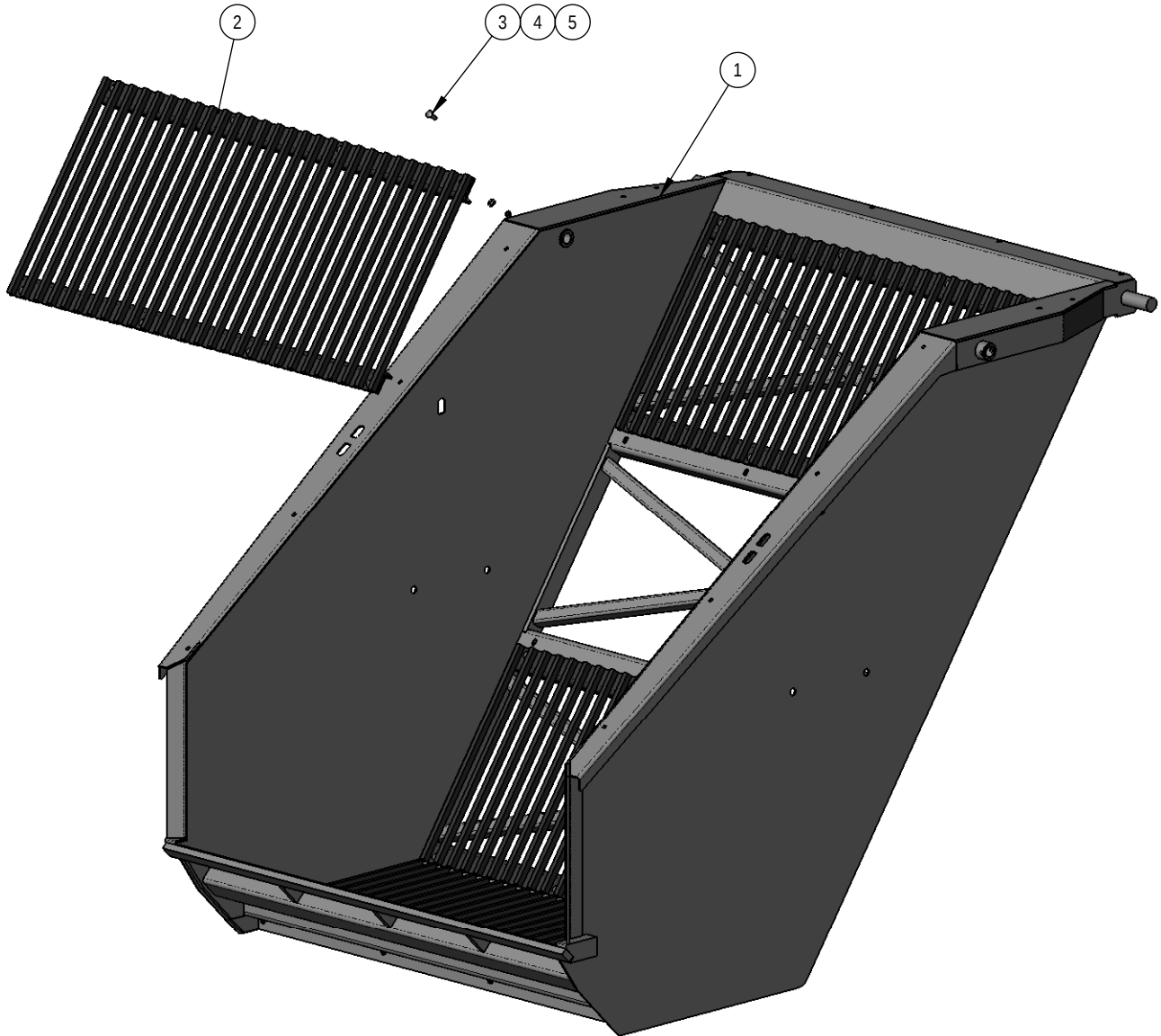


FC7? 'D=7?9F'L@\$'6I 7?9H'?H

FF\$% \$!\$) 9\$\*

Úæø

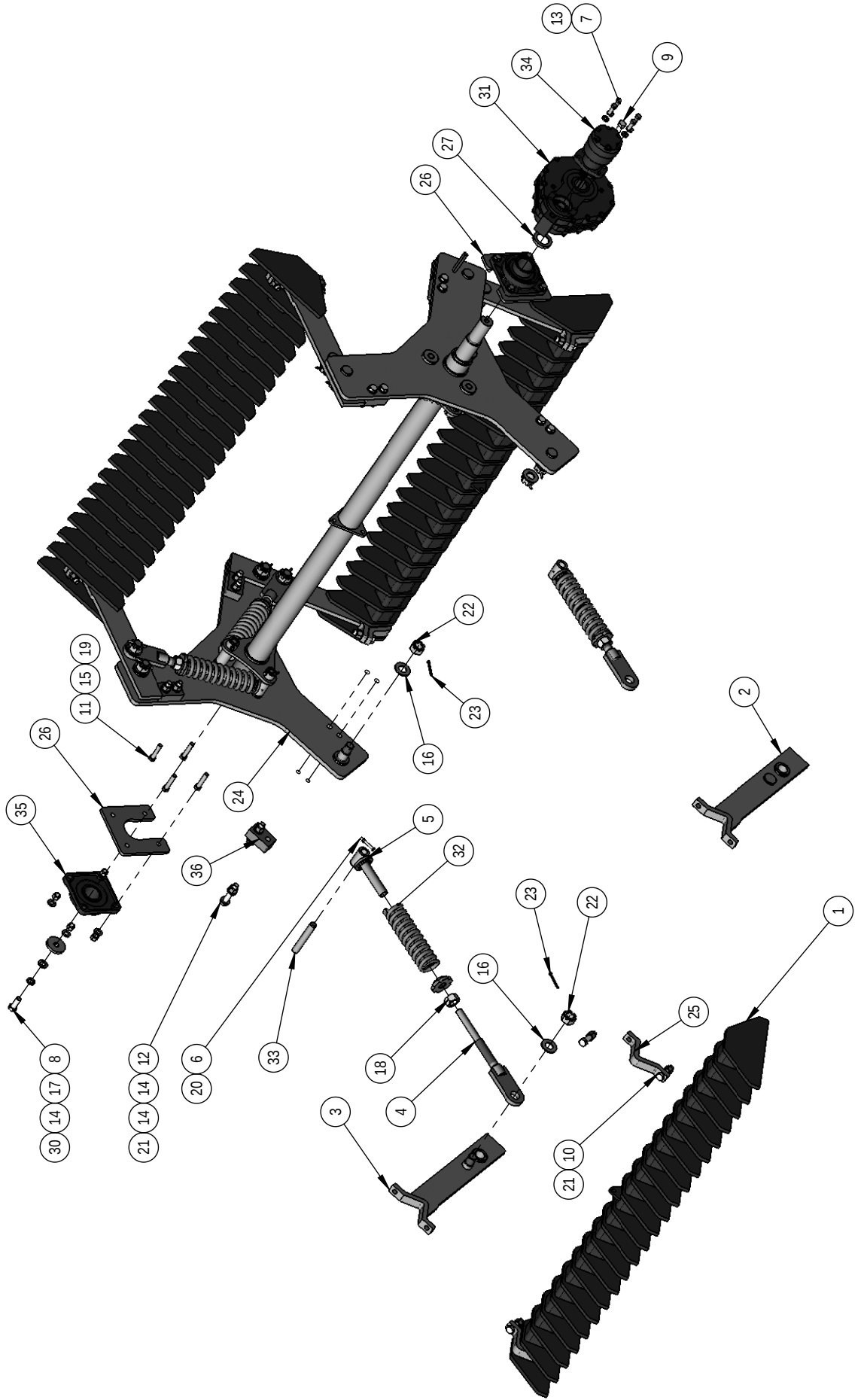
QÒT	PU	Ö^•&ā} }	Ù~ æ œ
F	ÜÜ€€ € €	ÜÜÔŜÁÔSÒÜÄTÌ €€ÁÔWÔSÒVÁSØ	F
G	ÜÜ€€ € F	ÜÜÔŜÁÔSÒÜÁÔWÔSÒVÁÔÜŠŠÒ	I
H	I í ÔÔ€€ FH€€	Ô€ÜÜÔÔÔÁÔUŠVÁF€€FHÔÁÁF€€ÄÖÜÍ	HG
I	I î ÔÔ€€	P€ÜÜÔÔÔÁÔSÖVÁ Ô€PÔÜÁF€€	HG
Í	I ï ÔÔ€€ FH	ÜVUXÒÜŠUÔSÁPWÁF€€FHÔ	HG



FA, \$-8 F=9 GMH9 A ?#H  
FF\$% \$!\$\* 9\$'



Uææc





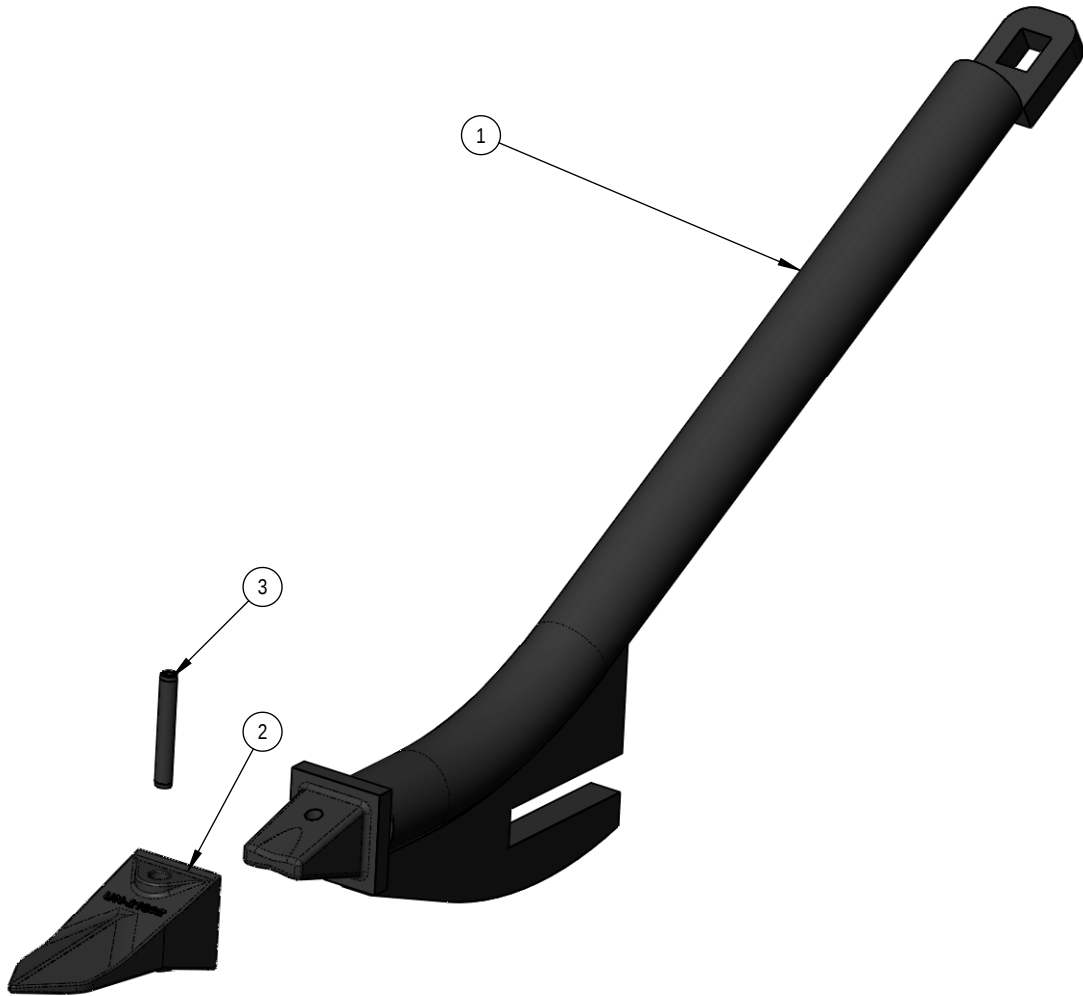


: CF ? ' 5 GG9 A 6 @ ML @ \$

FF ! & % \$ %

Úæø

QÒT	PU	ÖÒÙÔÛÓVQÞ	Û~ æ çä
F	ÜÜËF€EF	ØÜSÁUÔSÁÚΦSÒÜÁŠÌ €	F
G	WÞËF€EG	ÙÔÆÛØÙÁÓÁFÆÛÖ/ØÆΦ ÕD	F
H	I J Æ í € ç ä	ÖUWÓŠÒÁÛÛΦ ÕÁÚΦ Á Þ Ä Á G F Ä	F





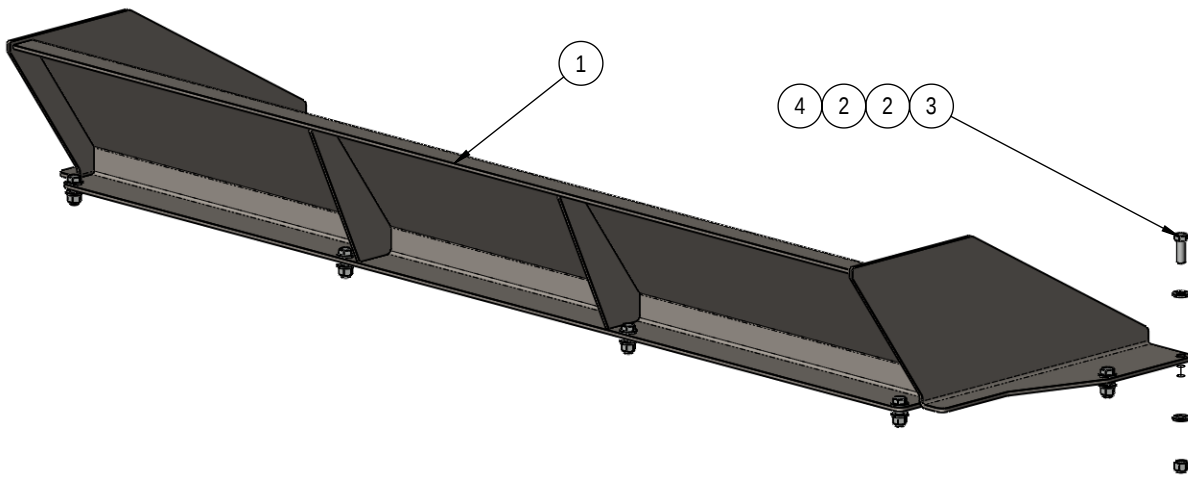


6I 7?9H'89: @7HCF'?#H

FF\$% \$!\$( 9\$%

Úæø

QÒT	PU	ÖÖÛÖÜŴVŴP	ÛVŸ
F	ÜÜË ÆEË	ÛUÔSÁŴSÒUÄÖÖŠÖÖVUÛ	F
G	I Î ÖÉÈ	PÆJÖÖPÖÖÄSÖE/Á ÖËPÖÜÄEÄ	FÎ
H	I Í ÖÉÈ FHEÈ	PÖYÁÖUŠVÄEÈHÖÁÄÄEÖÜÍ	Ì
I	I Î ÖÉÈ FH	PÿŠUPÄSUÔSÄPWÄEÈHÄÖ	Ì



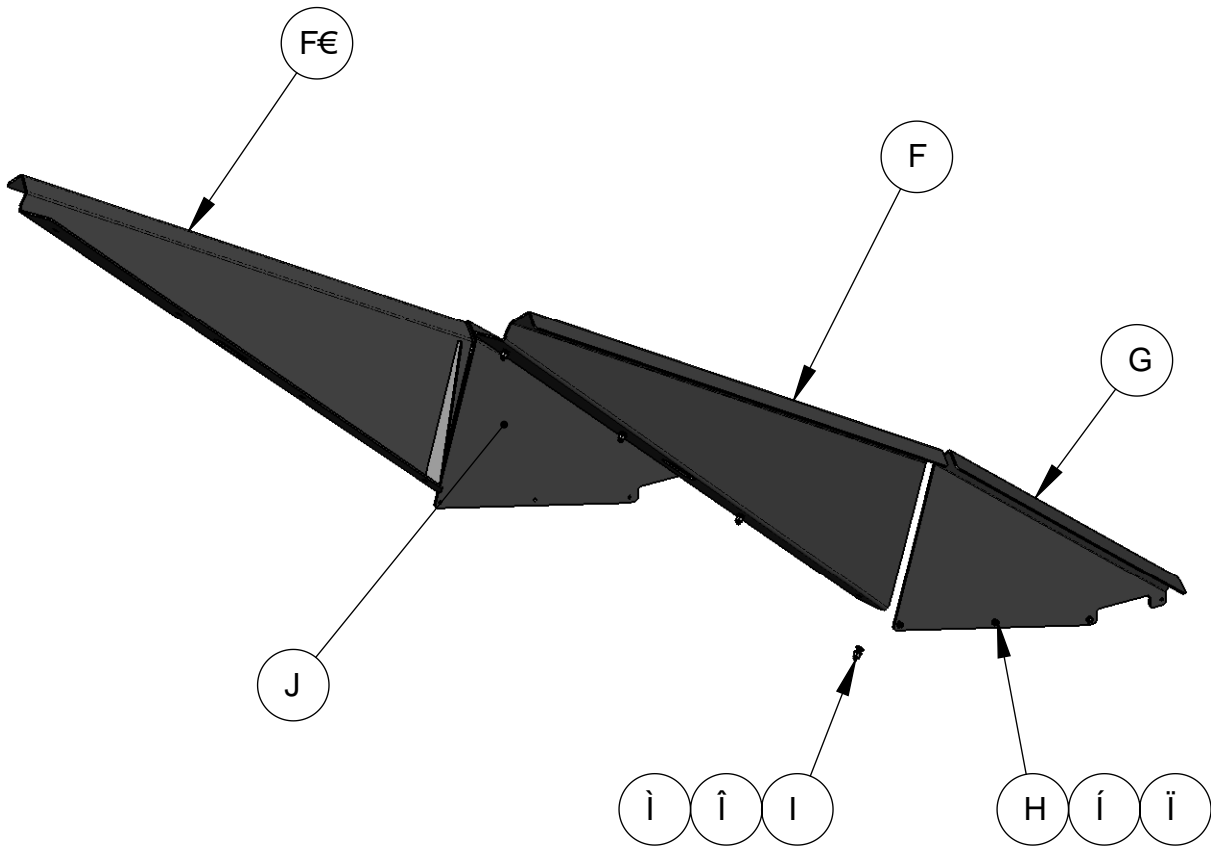


G-89'89: @7HCF

FF\$% \$!\$( 9\$\*

Úæø

QOT	PU	ÖÜÖÜÖÜÖÜÖÜ	ÜVY
F	ÜÜË€ġ	ÙÒÒÁÓÙYÁÖÒÖŠÒÖVUÜÄÜÖPV	F
G	ÜÜË€Ĥ	ÙÒÒÁÖÒÖŠÒÖVUÜÄÜÖPV	F
H	ÍÍÔÖĚĤ FĤ€Ĥ	ÔÖÜÜÖÖÖÁÓÙŠVÁĤĤÄĤĤ PÔÁÁĤĤĤÄÖÜÍ	I
I	ÍÍÔÖĚĤ FH€Ĥ	ÔÖÜÜÖÖÖÁÓÙŠVÁĤĤÄĤĤ PÔÁÁĤĤĤÄÖÜÍ	I
Í	ÍÍÖĚĤ	PÖÜÖÖPÖÖÁÖŠÖVÁ ÖÜPÖÜÄĤÄ	I
Î	ÍÍÖĚĤ	PÖÜÖÖPÖÖÁÖŠÖVÁ ÖÜPÖÜÄĤÄ	I
Ï	ÍÍÖĚĤ FĤ	PÿŠUPßSUÔSÁPWÁĤĤÄĤĤ PÔ	I
ì	ÍÍÖĚĤ FH	PÿŠUPßSUÔSÁPWÁĤĤĤĤĤ PÔ	I
J	ÜÜË€Ĥ	ÙÒÒÁÖÒÖŠÒÖVUÜÄÖÖV	F
F€	ÜÜË€Ĥ	ÙÒÒÁÓÙYÁÖÒÖŠÒÖVUÜÄÜÖPV	F

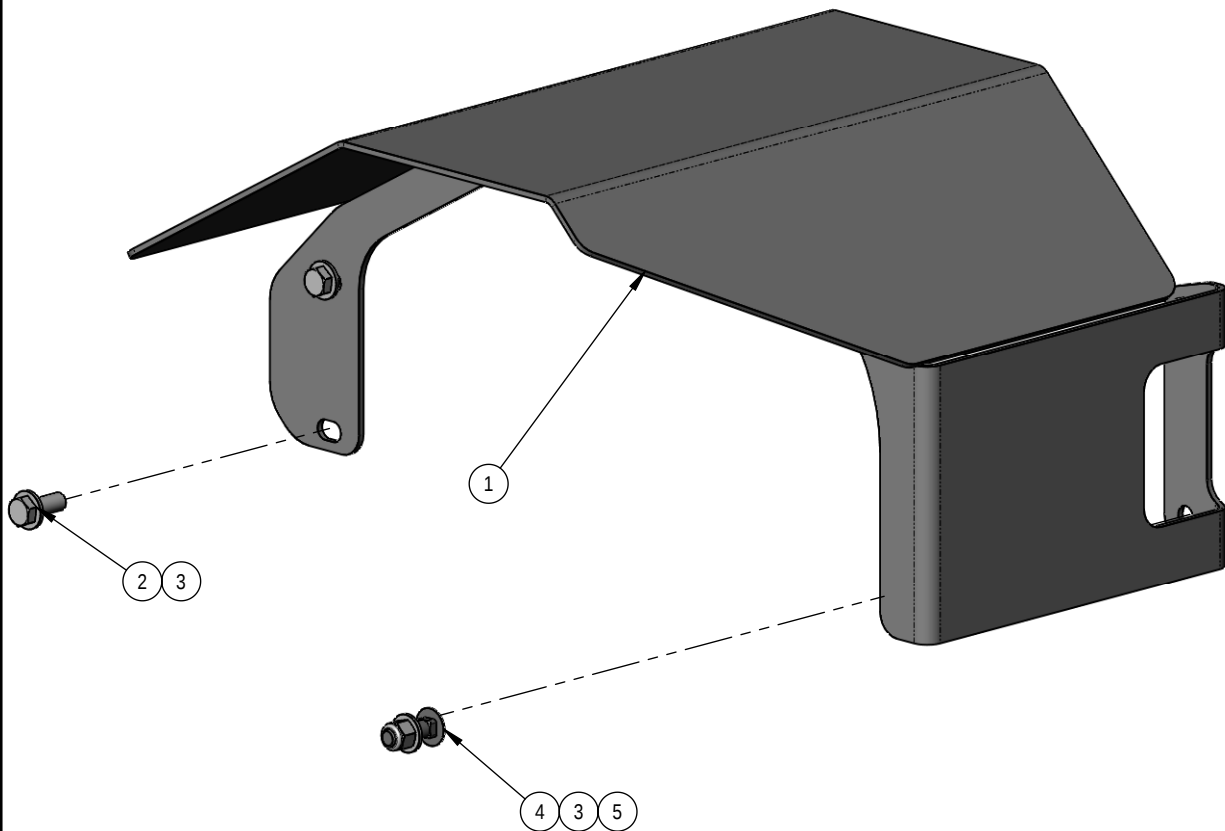




; 95F'6CL'; I 5F8'?'H  
FF\$% \$!\$( 9\$)

Úæø

QÒT	PU	ÖÒÛÔÛŴVŴP	Û~ æ œ
F	ÛÛË€G	ÕÒËÁÓUÝÃŴËÏ	F
G	I Í ÆËÍ FÍ €€€	PÒYÁÓUŠVÁÐÆÍ PÔÁÆÁÏÛÍ	G
H	I Î ÆËÍ	PÆÛÖÒPÒÖÁŠÆVÁ ÆPÒÛÁÐÄ	I
I	I Í ÔËËÍ FÍ €€€	ÔËÛÛËÏÒÁÓUŠVÁÐÆÍ PÔÁÆÁÐÄÏÛÍ	G
Í	I Î ÆËÍ FÍ	PÿŠUPÁŠUÔŠÁPWÁÐÆÍ PÔ	G



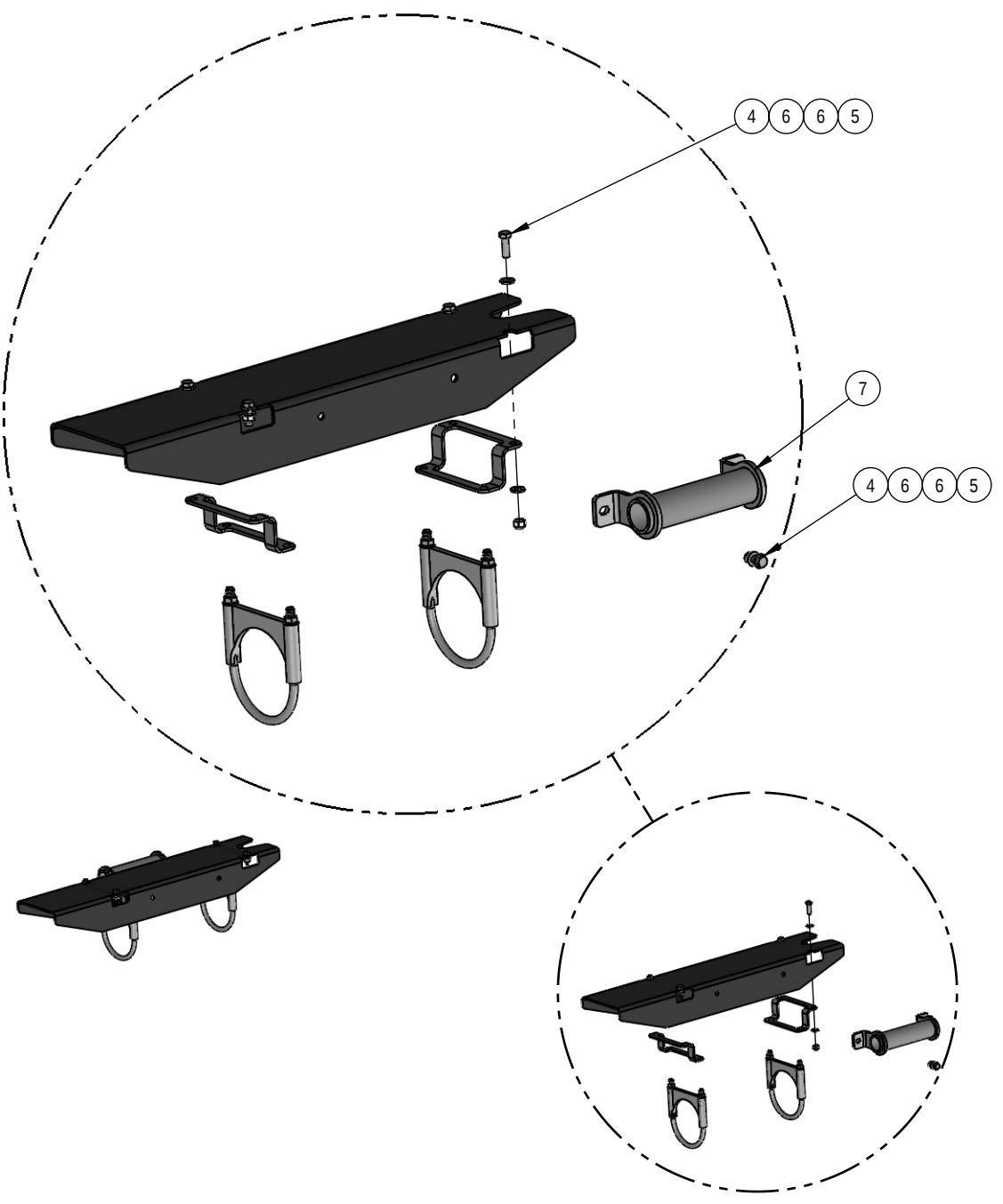


7M@B89F'; I 5F8

FF\$% \$!\$( 9\$&

Úæø

QOT	PU	OUOUUWUWU	U ǎ œ
F	ÜÜËË €FF	ÕWœÛÖ	G
G	ÜÜËË €F€	ÕWœÛÖÁÓÜœSÒV	I
H	HÍ €Í Ë	ÔŠœT ÚœÕÁVœUŠVÁœD ÆFÍ ÁPÓÁ ÁœD ÁœD	I
I	IÍ œœéí Fì €F€€	PÒYÁÓUŠVÁœFÍ ÈFÍ PÓYÁÁœDÜÍ	FG
Í	IÏ œœéí Fì	PŸŠUPÁŠUÔSÁWÁœFÍ ÆFÍ PÔ	FG
Î	IÎ œœéí	PœÛÖÒPÒÖÁœSœVÁ œÛPÒÜÁœFÍ Ä	G
Ï	ÜÜËË €FH	ÔUŠŠœÛÁWÚUUÜV	G



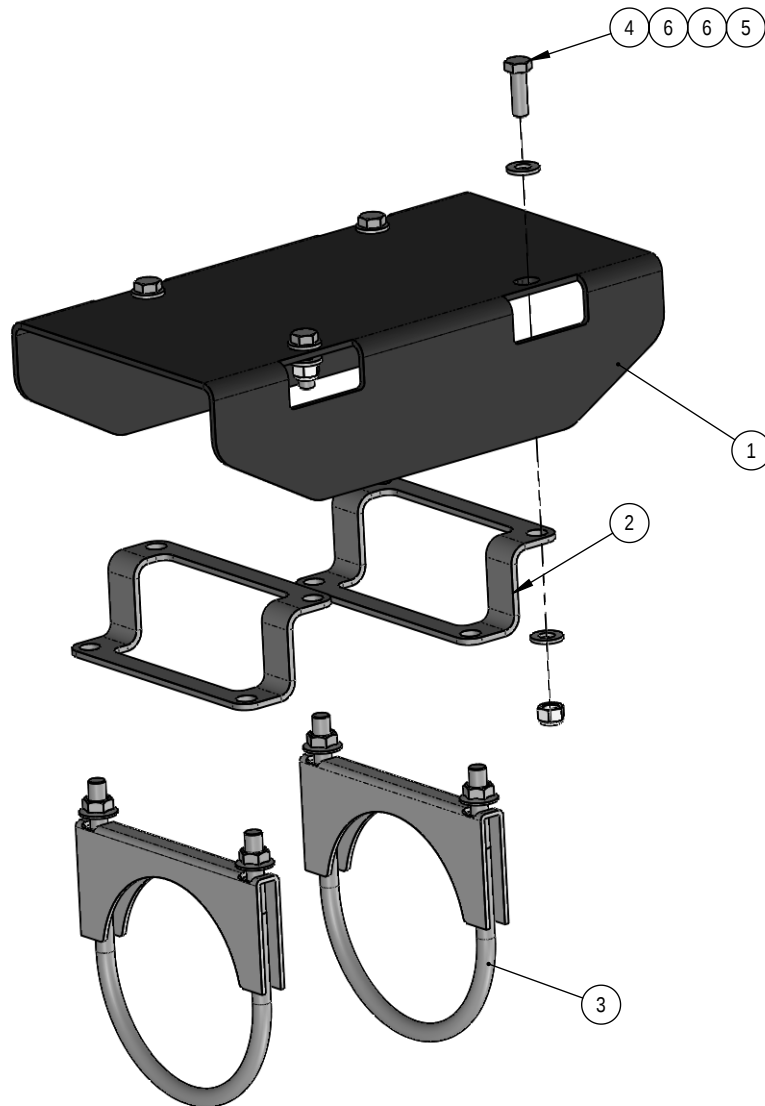


7M@B89F; I 5F8

FF\$% \$!\$( 9\$(

Úæø

QÒT	PU	ÖÒÛÖÜŴŴP	Û~ æ œ
F	ÜÜ€€ €GG	ÖWœÜÖ	F
G	ÜÜ€€ €GH	ÖWœÜÖÁÜÜœSÒV	G
H	Hí €í Ę	T WœSÒÜÁœSœT ÚÁ ÁœÄ	G
I	Ií œœí Fì €€€	PÖYÁÓUŠVÁ œí Ęí PÔÁÁÄÖÜí	I
Í	Iï œœí Fì	PŸŠUPÁŠUÔŠÁPWÁ œí Ęí PÔ	I
Î	Iî œœí	PœÜÖÒPÒÖÁœSœVÁ œPÒÜÁ œí Ä	ì













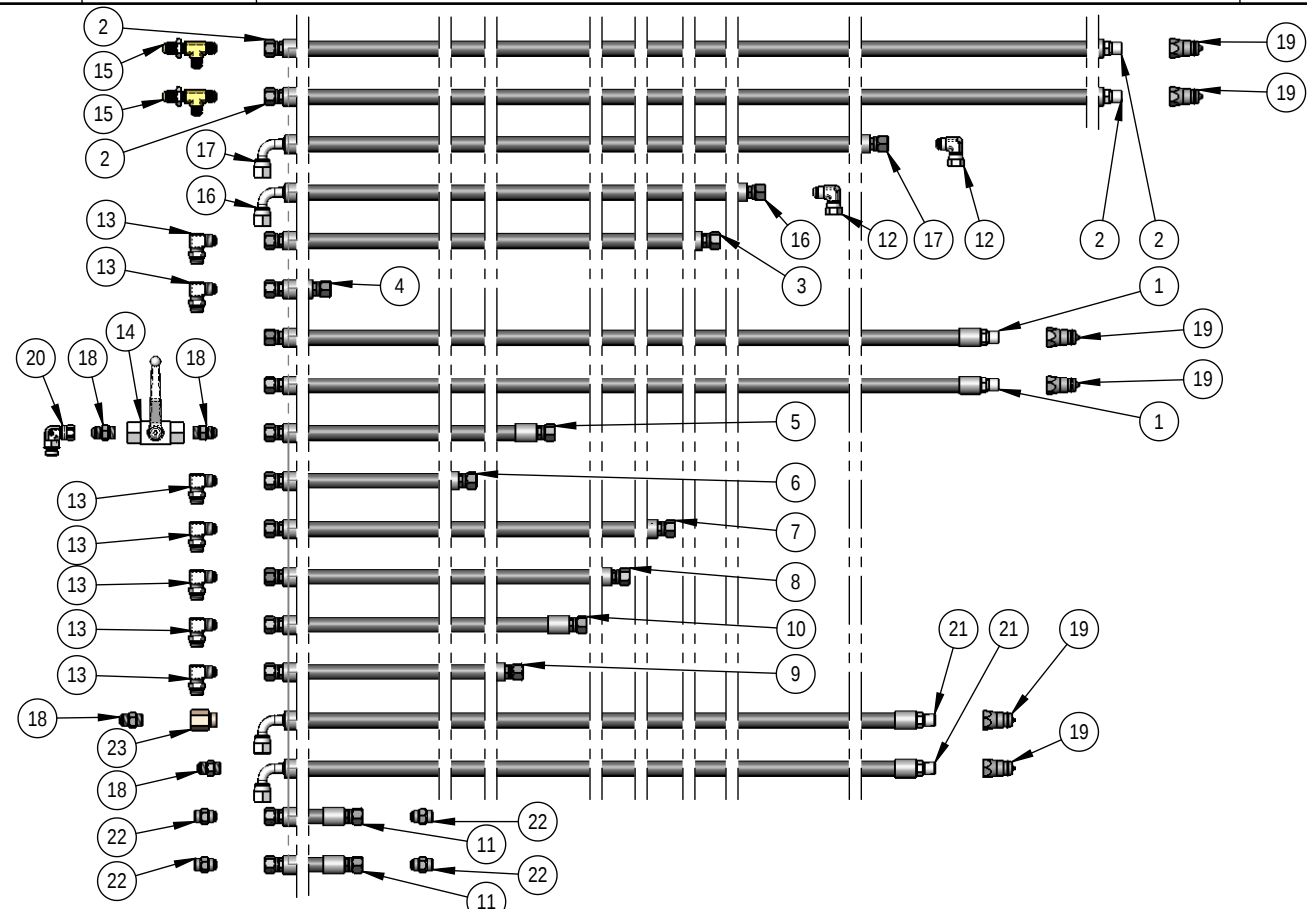




<MBF5I @7' <CG9G?#HFC7? 'D7?9F  
FF\$% \$!&- 9\$%

Úæø

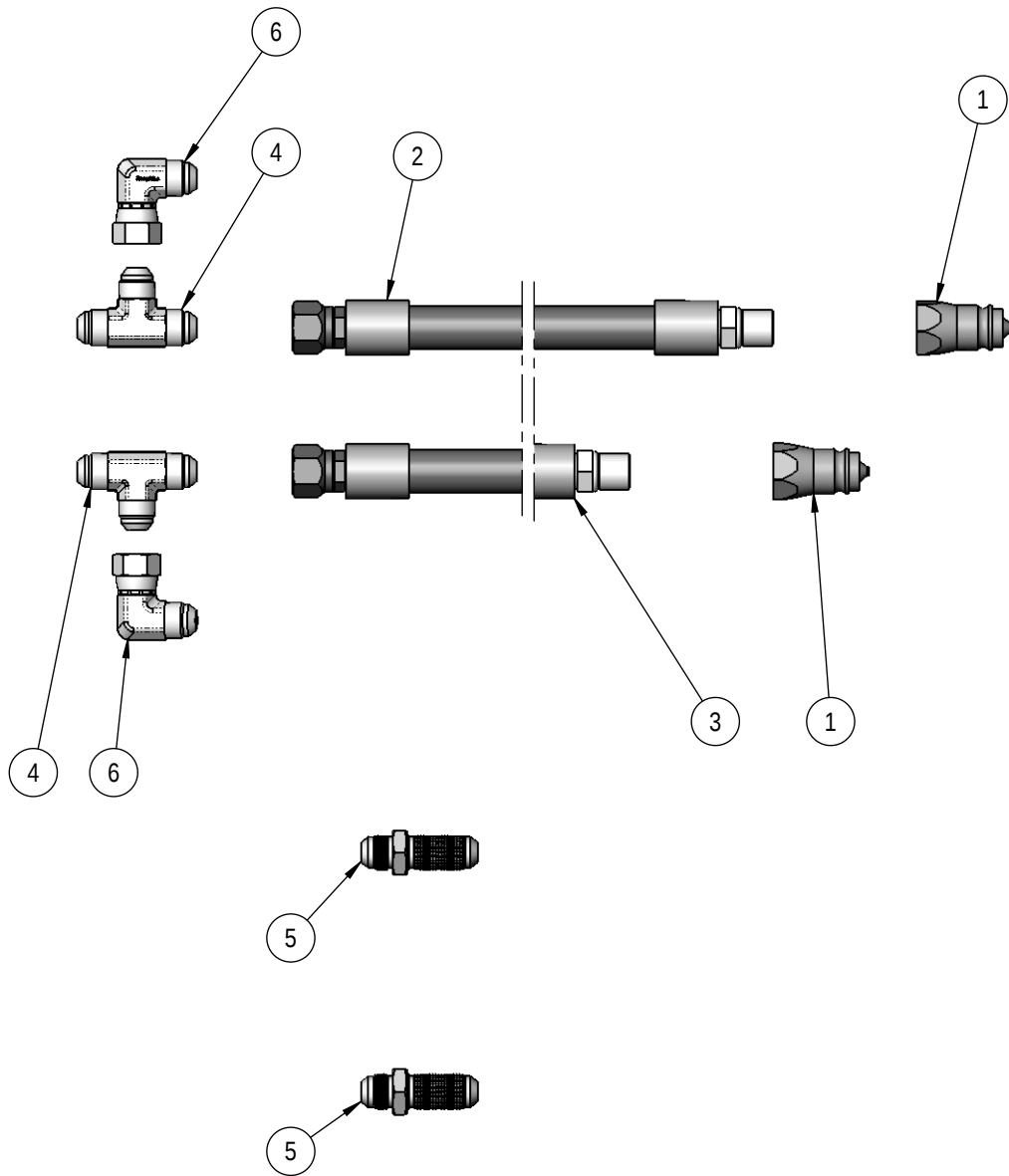
QØT	PU	ÖÖÜÜWVWP	ÜVÝ
F	WpEGeFEGe	PÿÖËP UÙÒFBSÚÁFBÁRÖQZÄÁFBÁUÜÖQ DÝÁGHEÁŠÖ	G
G	WpEGeFÈÈÈ	PÿÖËP UÙÒFBSÚÁFBÁRÖQZÄÁFBÁUÜÖQ DÝÁFHEÁŠÖ	G
H	WpEGeEÈÈÈ	PÿÖËP UÙÒFBSÚÁFBÁRÖQZÄÁFBÁRÖQZÄYI €	F
I	WpEGeEÈÈÈ	PÿÖËP UÙÒFBSÚÁFBÁRÖQZÄÁFBÁRÖQZÄYI €	F
Í	WpEGeEÈÈÍ	PÿÖËP UÙÒFBSÚÁFBÁRÖQZÄÁFBÁRÖQZÄYI Í	F
Î	WpEGeEÈÈÎ	PÿÖËP UÙÒFBSÚÁFBÁRÖQZÄÁFBÁRÖQZÄYI Î	F
J	WpEGeEÈÈI	PÿÖËP UÙÒFBSÚÁFBÁRÖQZÄÁFBÁRÖQZÄYI I	F
F€	WpEGeEÈÈÌ	PÿÖËP UÙÒFBSÚÁFBÁRÖQZÄÁFBÁRÖQZÄYI Ì	F
FF	WpEGeEÈÈGG	PÿÖËP UÙÒFBSÚÁFBÁRÖQZÄÁFBÁRÖQZÄYI GG	G
FG	HfEhÈG	ÖÖÜÄFBÁRÖQ DÄÁFBÁRÖQZÄYI ED	G
FH	HfEhÈÍ	ÖÖÜÄFBÁUÜÖQ DÄÁFBÁRÖQZÄYI ED	Ï
FI	HfÈJÈÈ	FBÁRÖPÁUÙÒÙWÜÖÓÖŠŠÅÖŠXÖÙÄÙÖDÄ ÁÖUPPÖÖV	F
FÍ	HfÈÍ	ÖÖÜÄÖVŠŠÁÖÖDÄFBÁRÖQ DÄÁFBÁRÖQ DÄÁFBÁRÖQ DÝÖÁVÜDÁWVD	G
FÌ	WpEGeFÈÈJ	PÿÖËP UÙÒFBSÚÁFBÁRÖQZÄÁFBÁRÖQZÄYI J	F
FÌ	WpEGeFÈÈGH	PÿÖËP UÙÒFBSÚÁFBÁRÖQZÄÁFBÁRÖQZÄYI GH	F
FÌ	HfÈI ÈI	ÖÖÜÄFBÁRÖQ DÄÁFBÁUÜÖQ DÝVÜD	I
FJ	HfÈI ÈG	ÛWÖSÁÖUWÜSÖUÁ ÖSÖÁFBÁUÜÖQZÄYI FÈI ÜD	Î
GE	HfEhÈI	ÖÖÜÄFBÁUÜÖQ DÄÁFBÁRÖQZÄYI ED	F
GF	WpEGeHÈÈG	PÿÖËP UÙÒFBSÚÁFBÁRÖQZÄYI EDÄFBÁUÜÖQ DÝÁGÈ	G
GG	HfÈI ÈI	ÖÖÜÄFBÁRÖQ DÄÁFBÁUÜÖQ DÝVÜD	I
GH	HfÈI ÈG	ÖÖÜÄFBÁUÜÖQ DÄÁFBÁUÜÖQZÄYI VÜD	F







QOT	PU	ÖÖÜÜÜÜVWP	ÜVY
F	HFEÍ EG	ÛWÕSÁUWÚSÓUÁT QSÓÁFEÁUÜÖÇQÜJÍ FÉÍ UD	G
G	WPÉJÉHFEH	PYÖËPUUÒÁFEÁSUÁFEÁRÖÇDÁFEÁUÜÖÇ DÁGHÁSÖ	F
H	WPÉJÉHFEH	PYÖËPUUÒÁFEÁSUÁFEÁRÖÇDÁFEÁUÜÖÇ DÁGHÁSÖ	F
I	HFEÉGFÍ	ÖÖÜÁFEÁRÖÇ DÁFEÁRÖÇ DÁFEÁRÖÇ DÜVÖD	G
Í	HFEÍ HÉ	ÖÖÜÁÖWSSÁ ÖÖÜFEÁRÖÇ DÁFEÁRÖÇ DÜVÜD	G
Î	HFEHÉG	ÖÖÜÁFEÁRÖÇ DÁFEÁRÖÇQÜJÉD	G





## Warranty Policy on new S Houle equipment

---

S Houle Inc. offers a warranty on all new equipment for a period of **1 year after date of retail purchase**, according to the terms listed below:

1. **AN APPROVAL FROM S HOULE INC. IS REQUIRED BEFORE ANY REPAIRS OR WARRANTY CLAIMS, WITH ACCOMPANYING PHOTOS AND THE EQUIPMENT'S SERIAL NUMBER;**
2. All claims must be received **30 days after date of approval;**
3. The equipment is F.O.B. St-Germain-de-Grantham at all times;
4. All defective parts must be returned to S Houle Inc. or retrieved by a representative of the manufacture **within a period of 30 days following the warranty claim;**
5. The S Houle warranty covers all defects in material or fabrication of the products only, and therefore does not covers the normal wear or non-recommended utilization of the product. All breaks resulting from an accident or abusive use will not be covered by the warranty policy;
6. The warranty does not cover any traveling fees to gain access to the equipment for evaluation or repairs;
7. Only original parts or S Houle approved parts will be considered appropriate for warranty claims;
8. S Houle Inc. reserves the right to refuse any labor time deemed excessive for any repair work claimed on warranty.
9. The labor fees compensated on warranty claims may never exceed **100\$/hour;**
10. On request, S Houle Inc. can provide the service of a road mechanic to effect repairs, for a fee of 100\$/hour + travel fees of 0.60\$/km;
11. The standard color of all equipment out of the factory will be S Houle yellow unless specifically requested by the client;
12. The warranty policy does not apply to the **NORMAL WEAR PARTS** listed below:

***Examples: Flow divider, cutting edges, bolts, nuts, spring blades, skid shoes, skid shoe bolts, sliders, chaines and chain hitches, cast iron shoes, hydraulic hoses, clutch and clutch components, gearboxes, driveshafts and others.***

### PURCHASER'S RESPONSIBILITIES

The present warranty presumes a correct maintenance and periodic inspections of the equipment by the owner, as described in the Owner's Manual provided with the equipment at time of purchase. The cost of regular maintenance or required servicing is the responsibility of the client. The buyer must conserve all receipts proving that the required maintenance has been respected.

### EXCLUSIONS ON SUBSEQUENT MANUFACTURER UPGRADES

S Houle Inc. reserves the right to modify, change or improve any product with no obligation to replace or modify any previously purchased equipment.



**S Houle inc.**

300 Industrial blvd.  
St-Germain-de-Grantham, Quebec, Canada, J0C 1K0  
Phone : 819 395-4380 Fax. : 819 395-5516  
Toll free : 1 888-404-4380  
E-Mail : info@shoule.com Web: www.shoule.com

**Product Registration**

**Dealer instructions:**  
Make sure registration is complete and signed.

**Product Information :**

MACHINE MODEL : \_\_\_\_\_ DELIVERY DATE : \_\_\_\_\_ / \_\_\_\_\_ / \_\_\_\_\_  
mm dd yyyy  
SERIAL NUMBER : \_\_\_\_\_  
OPTIONAL EQUIPMENT : \_\_\_\_\_

**Customer Information :**

FIRST & LAST NAME : \_\_\_\_\_ PHONE : \_\_\_\_\_  
MAILING ADDRESS : \_\_\_\_\_ EMAIL : \_\_\_\_\_  
Civic number and street  
City  
State / Province Zip Code

**Dealer Information :**

DEALER NAME : \_\_\_\_\_ PHONE : \_\_\_\_\_  
MAILING ADDRESS : \_\_\_\_\_ EMAIL : \_\_\_\_\_  
Civic number and street  
City  
State / Province Zip Code

**Signatures :**

\_\_\_\_\_  
Owner or designated representative signature  
\_\_\_\_\_  
Authorized dealer signature  
**Note : Both dealer and owner must sign in order to validate the warranty.**

**I hereby acknowledge that:**

- |  |   |
|--|---|
| <ol style="list-style-type: none"><li>1. I have received and accepted delivery of equipment described.</li><li>2. The equipment was checked thoroughly for loose or missing parts and has been adjusted in accordance with the pre-delivery checklist.</li><li>3. I have been provided with and have carefully read the instruction manual.</li><li>4. I have read and understand the nature and extent of the warranty and understand clearly that there were and are no other representations or warranties, either express or implied, made by anyone.</li><li>5. A copy of the present document must be completed and transmitted to Fa-</li></ol> | <ol style="list-style-type: none"><li>6. I have been advised on proper operation, maintenance and lubrication procedures of this equipment.</li><li>7. I have been instructed on and do understand the application, limitations and capacities this equipment was designed and recommended for, all as described in the Instruction Manual and other literature published by Fabrication S.Houle inc.</li></ol> |
|--|---|

ONE YEAR WARRANTY COVER PARTS ONLY, EFFECTIVE WHEN THIS FORM HAS ALL APPLICABLE INFORMATION COMPLETED, IS SIGNED BY BOTH THE OWNER AND THE DEALER AT THE TIME OF DELIVERY, THEN FORWARDED TO **S HOULE INC.** WARRANTY SERVICE MAY BE DENIED IF THIS FORM CONTAINS FALSE INFORMATION IS OR INCOMPLETE.



### **S Houle inc.**

300 boul. Industriel  
St-Germain-de-Grantham, Québec, Canada, J0C 1K0  
Tél : 819 395-4380      Téléc. : 819 395-5516  
Sans frais : 1 888-404-4380  
Courriel : [info@shoule.com](mailto:info@shoule.com)      Site : [www.shoule.com](http://www.shoule.com)

### **S Houle inc.**

300 Industrial blvd  
St-Germain-de-Grantham, Québec, Canada, J0C 1K0  
Phone : 819 395-4380      Fax. : 819 395-5516  
Toll free : 1 888-404-4380  
E-mail : [info@shoule.com](mailto:info@shoule.com)      Web : [www.shoule.com](http://www.shoule.com)